

Product catalogue

HYPERVSN Smart 

HYPERVSN

SmartV Solutions

HYPERVSN SmartV Solo M	4
HYPERVSN SmartV Solo L	5
HYPERVSN SmartV Wall M	6
HYPERVSN SmartV Wall L	7
HYPERVSN SmartV Holographic Human	8
HYPERVSN SmartV Digital Avatar	9
HYPERVSN SmartV Live Streaming	10
HYPERVSN SmartV 3D Modeller	11
HYPERVSN SmartV 3D Catalogue	12
HYPERVSN SmartV Slots	13

HYPERVSN

SmartV Solo Accessories

HYPERVSN SmartV Tripod	16
HYPERVSN SmartV Ceiling Mount	17
HYPERVSN SmartV Glass Box	18
HYPERVSN SmartV Dome	19
HYPERVSN SmartV Dome Ultra	20

HYPERVSN

SmartV Wall Accessories

HYPERVSN SmartV Frame	23
HYPERVSN SmartV Frame Extender	24
HYPERVSN SmartV Wall Portable HH	25
HYPERVSN SmartV Glass Box L3	26
HYPERVSN SmartV Plex Guard 6	27
HYPERVSN SmartV Plex Guard 9	28
HYPERVSN SmartV Rack	29

HYPERVSN

SmartV Interactive Add-ons

HYPERSN

SmartV Solutions

HYPERVSN

SmartV Solo M

An innovative solution to create, manage and display stunning high-definition detailed 2D and 3D content, which appears to be floating in mid-air. The single display is up to 56 cm / 22" in size and is managed easily with the HYPERVSN Software Suite.

[Learn more](#)

Key benefits

- ✓ Ultra-fine pixel pitch
- ✓ Interactive capabilities
- ✓ Lightweight and portable



Specifications

Hardware:

HYPERVSN SmartV Display M,
HYPERVSN SmartV Box1

Services:

HYPERVSN SmartV
Display Software Service M

Applications:

HYPERVSN CMS
and HYPERVSN App

Accessories:

Tripod, Ceiling Mounts,
Domes, Cubes

Add-ons:

SmartV Pro (1 year, 3 year,
Perpetual) subscriptions

Content:

3D Studio, Design Lab,
Media Library, Use your own

HYPERVSN

SmartV Solo L

A revolutionary solution to create, manage and display brilliant, bright 3D content, which appears to be floating in mid-air. The larger single display is up to 75 cm / 30" in size and is simply managed with the HYPERVSN Software Suite.

[Learn more](#)

Key benefits

- ✓ Brightness of 3000 Nits
 - ✓ Interactive capabilities
 - ✓ Supports 3D and 2D content
-

Specifications

Hardware:

HYPERVSN SmartV Display L,
HYPERVSN SmartV Box1

Services:

HYPERVSN SmartV
Display Software Service L

Applications:

HYPERVSN CMS
and HYPERVSN App

Accessories:

Tripod, Ceiling Mounts,
Domes, Cubes

Add-ons:

SmartV Pro (1 year, 3 year,
Perpetual) subscriptions

Content:

3D Studio, Design Lab,
Media Library, Use your own

HYPERVSN

SmartV Wall M

A large-scale innovative solution to create, manage and display high-definition holographic 3D and 2D content in immaculate detail. This solution, made up of any number of single displays, can be easily installed, maintained and managed.

[Learn more](#)

Key benefits

- ✓ Flawless image quality
- ✓ Display immaculate 2D & 3D content
- ✓ Manage display and content with ease



Specifications

Hardware:

HYPERVSN SmartV Display M,
HYPERVSN SmartV Box 6/12

Services:

HYPERVSN SmartV
Display Software Service M
(per each display),
SmartV Box 6/12 Software Service

Applications:

HYPERVSN CMS,
HYPERVSN App and
HYPERVSN Pro App

Accessories:

Frame, Frame Extenders,
Plex Guard

Content:

3D Studio, Design Lab,
Media Library, Use your own

HYPERVSN

SmartV Wall L

An even larger-scale innovative solution to create, manage and display brilliant, bright holographic content with ease. The future of digital signage, HYPERVSN SmartV Wall, is made up of any number of single displays and can be seen from a large distance.

[Learn more](#)

Key benefits

- ✓ Brightness of 3000 Nits
- ✓ Wide, accurate colour spectrum
- ✓ Larger-scale and modular design



Specifications

Hardware:

HYPERVSN SmartV Display L,
HYPERVSN SmartV Box 6/12

Services:

HYPERVSN SmartV
Display Software Service L
(per each display),
SmartV Box 6/12 Software Service

Applications:

HYPERVSN CMS,
HYPERVSN App and
HYPERVSN Pro App

Accessories:

Frame, Frame Extenders,
Plex Guard

Content:

3D Studio, Design Lab,
Media Library, Use your own

HYPERVSN

SmartV Holographic Human

HYPERVSN Holographic Human is an all-in-one solution to display life-size 3D humans to demo products, provide info or showcase the latest trends. It is made up of three HYPERVSN SmartV Solo L devices set-up in a vertical configuration and synchronized to display human-sized content.

[Learn more](#)

Key benefits

- ✓ Revolutionize your display
- ✓ Increase message retention
- ✓ Personify your brand



Specifications

Hardware:

HYPERVSN SmartV Display Lx3,
HYPERVSN SmartV Box 6

Services:

HYPERVSN SmartV Display
Software Service L
(per each display),
SmartV Box 6 Software Service

Accessories:

Alignment mounts,
Wall Portable HH,
GlassBox L3 with Glass
(Regular or Antiglare),
Glass Box L3 (without glass)*

Add-ons:

3D Catalogue, SDK

Content:

Design Lab, Use your own

* Note: glass is a necessity with
the Glass Box L3 and this should be
provided for installation

HYPERVSN

SmartV Digital Avatar

HYPERVSN holographic digital avatars are driving emotionally resonant and human-like experiences for customers. Digital Avatar by HYPERVSN is a complex visual solution, based on Holographic Human, and enhanced by a Digital Avatar subscription and additional interactivity services.

[Learn more](#)

Key benefits

- ✓ Create an impactful 2-way interaction
- ✓ Use your chat-bots more effectively
- ✓ Add the “human touch”



Specifications

Hardware:

HYPERVSN SmartV Display L×3,
HYPERVSN SmartV Box 6

Services:

HYPERVSN SmartV
Display Software Service L
(per each display),
SmartV Box 6 Software Service,
HYPERVSN SmartV
Digital Avatar subscription
(3-month, 1-year, 2-year, 5-year)

Additional parts:

External PC, Monitor
with touch-screen,
Speakers, Microphone

Accessories:

Alignment mounts,
GlassBox L3 with Glass
(Regular or Antiglare),
Glass Box L3 (without glass)*

* Note: glass is a necessity with
the Glass Box L3 and this should be
provided for installation

HYPERVSN

SmartV Live Streaming

The all-new holographic solution, that allows you to broadcast live events in real-time, featuring 3D holograms of presenters, performers, or speakers. Present at events, share your knowledge and inspire people in multiple locations all at once.

[Learn more](#)

Key benefits

- ✓ Provide a uniquely immersive experience
- ✓ Create an innovative virtual environment
- ✓ Reach a larger audience without the huge expense



Specifications

Hardware:

HYPERVSN SmartV Display L×3,
HYPERVSN SmartV Box 6

Services:

HYPERVSN SmartV
Display Software Service L
(per each display),
SmartV Box 6 Software Service,
HYPERVSN SmartV Live-Stream
subscription (3-month, 1-year)

Additional parts:

Studio side HYPERVSN
SmartV Live-Stream pack,
Hologram unit side HYPERVSN
SmartV Live-Stream pack

HYPERVSN

SmartV 3D Modeller

Complete, interactive technology solution, giving your audience the ability to virtually manipulate, rotate and display explosion 3D models with their hands! 3D Modeller can be used as a visualisation tool for any 3D model be it in the automotive industry or education.

* Note: Explosion (assemble/disassemble) feature available for all subscriptions as of Q3'22

[Learn more](#)

Key benefits

- ✓ Increase engagement
- ✓ Improve understanding
- ✓ Contact-free solution if required



Specifications

Hardware:

HYPERVSN SmartV Solo M/L
or HYPERVSN SmartV Wall

Services:

HYPERVSN SmartV
Display Software Service M/L
(per each display),
SmartV Box 6/12 Software Service,
HYPERVSN SmartV 3D Modeller
Solo M/L 1 year subscription or
HYPERVSN SmartV 3D Modeller
Wall M/L 1 year subscription

Additional parts:

External PC, Touchpad

Accessories:

Tripod, Ceiling Mounts,
Domes, Cubes, Frame,
Frame Extenders, Plex Guard

Add-ons:

Custom Content

Content:

Design Lab, Use your own

HYPERVSN

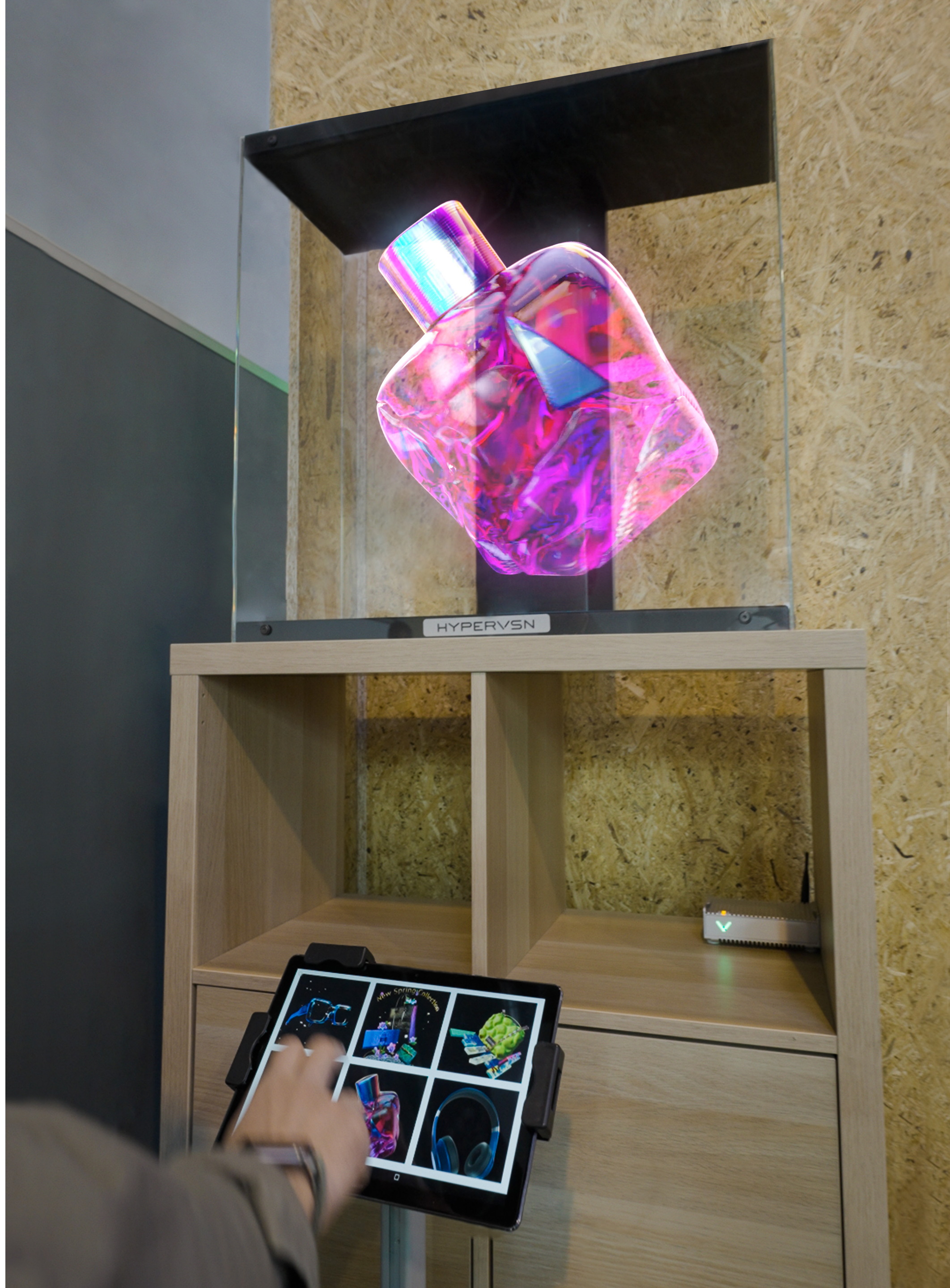
SmartV 3D Catalogue

HYPERVSN SmartV 3D Catalogue is a complete, interactive technology solution, giving your audience the ability to virtually manipulate holographic images of your products with their hands! This solution is proven to increase engagement, sales and foot traffic.

[Learn more](#)

Key benefits

- ✔ Increase sales with next level-engagement
- ✔ Boost foot traffic with this eye-catching solution
- ✔ Unparalleled phygital user experience



Specifications

Hardware:

HYPERVSN SmartV Solo M/L
or HYPERVSN SmartV Wall M/L

Services:

HYPERVSN SmartV Display
Software Service M/L
(per each display),
SmartV Box 6/12 Software Service,
HYPERVSN SmartV
3D Catalogue Solo subscription
or HYPERVSN SmartV
3D Catalogue Wall subscription

Additional parts:

Tablet / PC + Leap Motion
Controller

Accessories:

Tripod, Ceiling Mounts,
Domes, Cubes, Frame,
Frame Extenders, Plex Guard

Add-ons: Custom Content

HYPERVSN

SmartV Slots

HYPERVSN SmartV Slots is the world's first 3D holographic slot machine creating maximum excitement and engagement with your brand. Captivate audiences by giving them the chance to win by spinning the 3D slot machine. This innovative all-in-one solution takes experiential marketing to a new dimension.

[Learn more](#)

Key benefits

- ✔ Boost audience participation
- ✔ Ignite an emotional response
- ✔ Captivate viewers and increase foot traffic



Specifications

Hardware:
HYPERVSN SmartV Display M/L×3,
HYPERVSN SmartV Box 6

Services:
HYPERVSN SmartV Display
Software Service M/L×3
(per each display),
SmartV Box 6 Software Service,
HYPERVSN SmartV
Slots Software Service

Additional parts:
Button / Handle

Accessories:
Tripods, Domes,
Ceiling mounts

Add-ons:
Custom content

Content:
HYPERVSN Slots Standard
Content, Design Lab

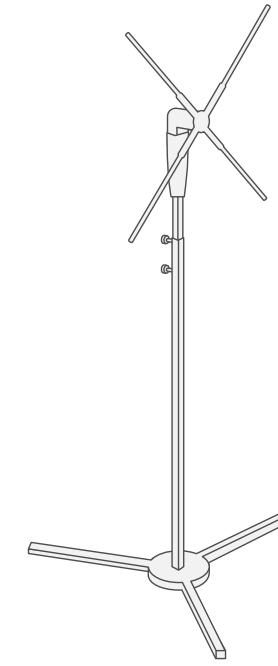
HYPERSN

SmartV Solo Accessories

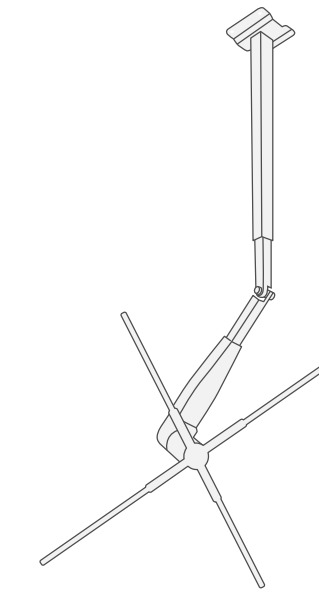
HYPERVSN SmartV Solo Accessories

With our range of SmartV Solo Accessories and installation solutions you can create the perfect holographic display in any environment. Designed to expand your installation opportunities and bring a new level of convenience and versatility to your setup.

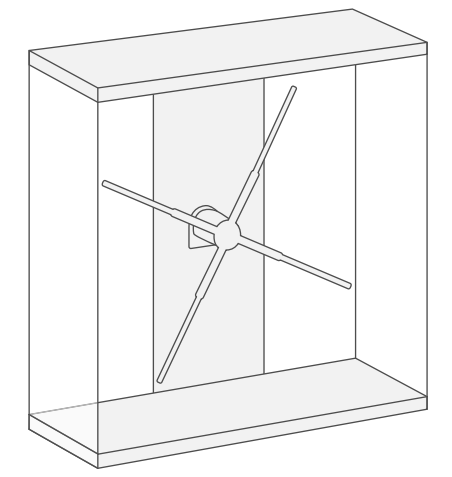
[Learn more](#)



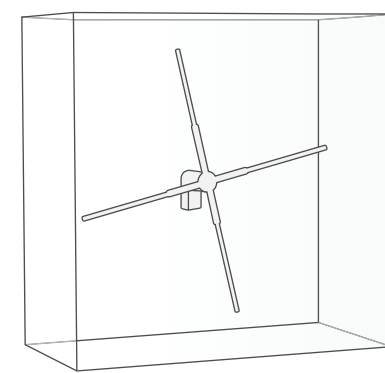
HYPERVSN
SmartV Tripod



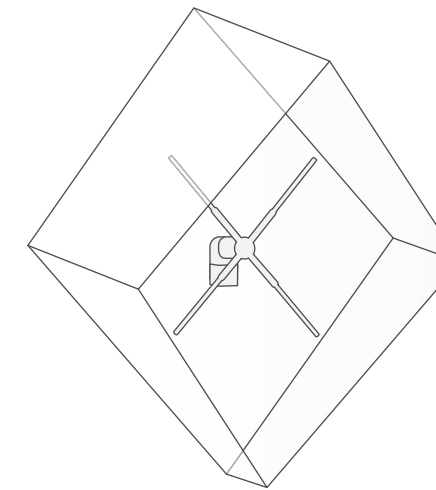
HYPERVSN
SmartV Ceiling Mount



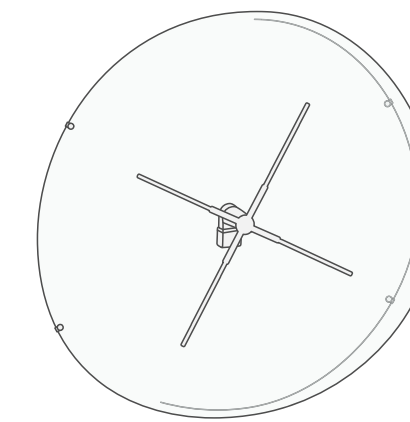
HYPERVSN
SmartV Glass Box



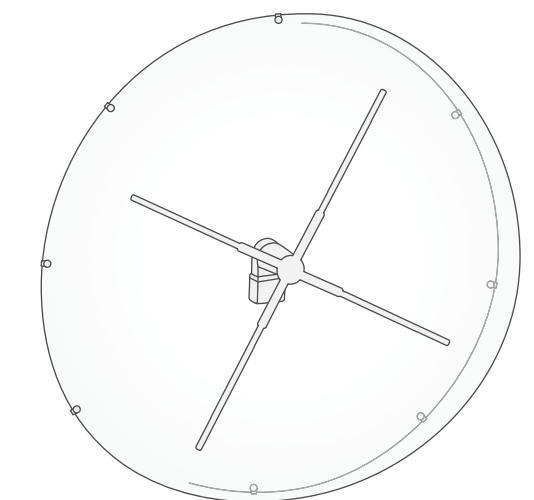
HYPERVSN
SmartV Cube Regular



HYPERVSN
SmartV Cube Shift



HYPERVSN
SmartV Dome



HYPERVSN
SmartV Dome Ultra

HYPERVSN

SmartV Tripod

Elevate installations with the telescopic HYPERVSN SmartV Tripod, allowing single HYPERVSN SmartV Solo to be displayed at a height of 1.3 m – 1.8 m above the ground. SmartV Tripod is minimal in design and made with portability in mind with its lightweight construction. It can easily be transported, shipped.

[Learn more](#)

Key benefits

- ✓ Telescopic with adjustable height (1.3 m – 1.8 m)
- ✓ Perfect for product demos, meetings and events
- ✓ Lightweight and highly portable



Specifications

Compatibility:
HYPERVSN SmartV Solo M and L

Accessory compatibility:
HYPERVSN SmartV Dome M and L

Weight:
7,9 kg / 17,4 lbs (w/o display)

Height:
134.7 cm – 181.3 cm (w/o display)

Base diameter:
98.4 cm / 38.74"

HYPERVSN

SmartV Ceiling Mount

HYPERVSN SmartV Ceiling Mount, with its telescopic, lightweight construction, is easy to install and allows users to adjust its height and angle of inclination. This accessory can be easily shipped and is compatible with HYPERVSN Domes. Redefine traditional installations by seizing the overhead space.

[Learn more](#)

Key benefits

- ✓ Increases device impact over distance
- ✓ Adjustable height and device angle
- ✓ Perfect for retail, hospitality or corporate spaces



Specifications

Compatibility:
HYPERVSN SmartV Solo M and L

Accessory compatibility:
HYPERVSN SmartV Dome M and L

Weight:
3 kg / 6,6 lbs (w/o display)

Length:
101 cm – 136 cm /
39.7" – 53.5" (w/o display)

HYPERVSN

SmartV Glass Box

Robust and elegant, the protective HYPERVSN SmartV Glass Box is minimal in design with antiglare front glass, transparent side walls, and dark top and bottom surfaces. The background enhances the 3D visual effects, while the antiglare front glass allows for minimal image distortion.

[Learn more](#)

Key benefits

- ✓ Increased brightness and scratch resistance
- ✓ Portable, lightweight and provides protection
- ✓ Perfect for retail, bars and receptions



Specifications

HYPERVSN SmartV Glass Box M

Compatibility:
HYPERVSN SmartV Solo M

Weight:
24 kg / 52.9 lbs (w/o display)

Dimensions:
66.5 cm × 66.5 cm × 30 cm /
26.2" × 26.2" × 11.8"

HYPERVSN SmartV Glass Box L

Compatibility:
HYPERVSN SmartV Solo L

Weight:
35 kg / 77.2 lbs (w/o display)

Dimensions:
91.8 cm × 86.1 cm × 30.7 cm /
36.1" × 33.9" × 12.1"

HYPERVSN

SmartV Dome

Explore new installation opportunities with the HYPERVSN SmartV Dome. This accessory safeguards HYPERVSN SmartV Solo M (56 cm) or L (75 cm) displays in a protective transparent shield, allowing devices to be placed within reach of audiences. HYPERVSN SmartV Dome is easy to mount.

[Learn more](#)

Key benefits

- ✓ Safer for installations within audience reach
- ✓ Easy to use in conjunction with other accessories
- ✓ Scratch and damage resistant



Specifications

Accessory compatibility:
HYPERVSN SmartV Ceiling Mount
and HYPERVSN SmartV Tripod

Thickness:
4 mm / 0.16"

HYPERVSN SmartV Dome M

Compatibility:
HYPERVSN SmartV Solo M

Weight:
6.5 kg / 14.3 lbs (w/o display)

Dimensions:
76 cm / 29.9"

Depth to surface:
38 cm / 14.96"

HYPERVSN SmartV Dome L

Compatibility:
HYPERVSN SmartV Solo L and M

Weight:
10.5 kg / 23.1 lbs (w/o display)

Dimensions:
98 cm / 38.6"

Depth to surface:
48 cm / 18.9"

HYPERVSN

SmartV Dome Ultra

HYPERVSN SmartV Dome Ultra is sleek, yet grand in design. It creates the impression of an enhanced 3D effect, and the visuals displayed within appear to be enlarged. This transparent shield only sits 27 cm off any installation Wall – making it fit easily into almost any interior space as a fixed installation.

[Learn more](#)

Key benefits

- ✔ Visuals displayed appear enlarged
- ✔ Creates the impression of an enhanced 3D effect
- ✔ Design protects devices while enhancing interior spaces



Specifications

Compatibility:
HYPERVSN SmartV Solo M and L

Weight:
10.5 kg / 23.1 lbs (w/o display)

Dimensions:
137.5 cm / 54.1"

Thickness:
4 mm / 0.16"

Depth to surface:
39 cm / 15.6"

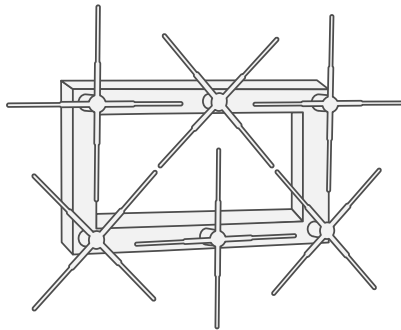
HYPERSN

SmartV Wall Accessories

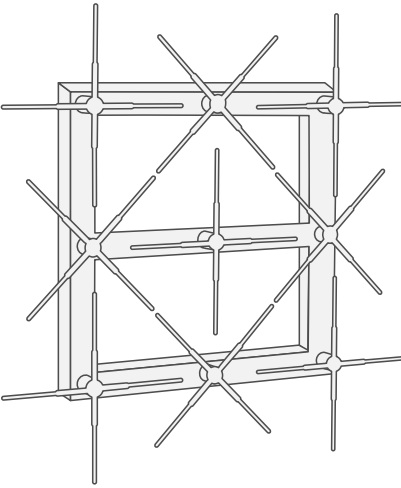
HYPERVSN SmartV Wall Accessories

Unlock the full potential of HYPERVSN Wall with this custom range of Wall accessories. Bring a new level of convenience and versatility to your set up without compromising your audience's viewing experience.

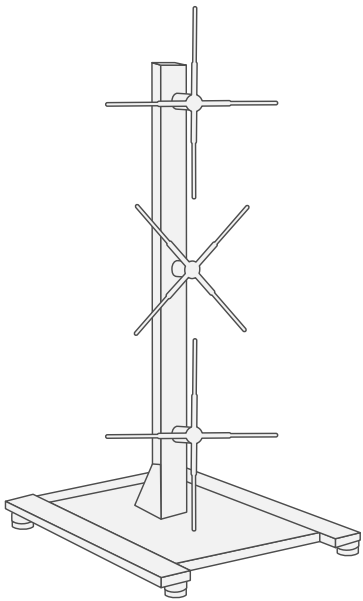
[Learn more](#)



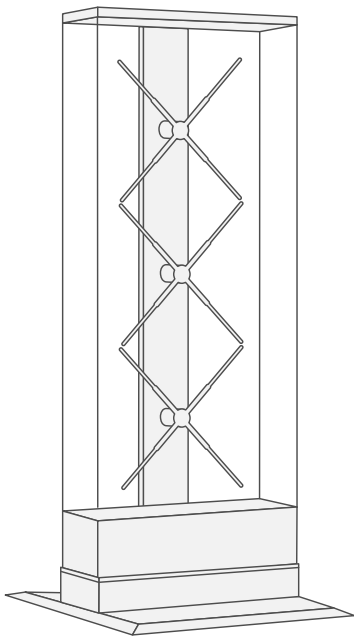
HYPERVSN
SmartV Frame



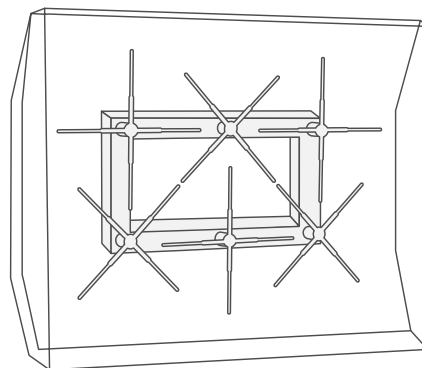
HYPERVSN
SmartV Frame Extender



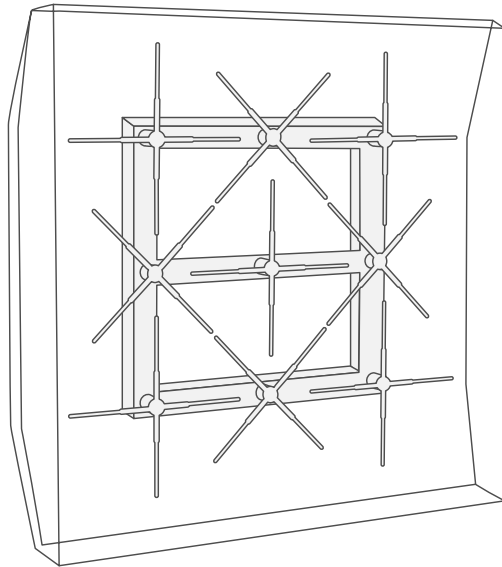
HYPERVSN
SmartV Wall Portable HH



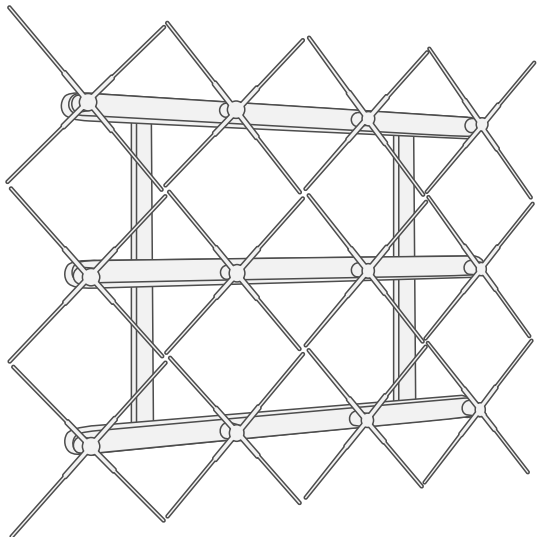
HYPERVSN
SmartV Glass Box L3



HYPERVSN
SmartV Plex Guard 6



HYPERVSN
SmartV Plex Guard 9



HYPERVSN
HYPERVSN SmartV Rack

HYPERVSN

SmartV Frame

HYPERVSN SmartV Frame is an integral part of HYPERVSN SmartV Wall and comes in both M and L sizes. This fundamental installation structure provides the perfect spacing and alignment needed to easily install a Wall. It is modular in design and can be scaled with the HYPERVSN SmartV Frame Extender.

[Learn more](#)

Key benefits

- ✓ Install, scale, and maintain with ease
- ✓ Vertical and horizontal installation
- ✓ Compatible with universal VESA mounts



Specifications

Compatibility:
HYPERVSN SmartV Wall M/L

Accessory compatibility:
HYPERVSN SmartV Extender M/L
and HYPERVSN SmartV Plex
Guard M/L (6/9/12)

HYPERVSN SmartV Frame M

Weight:
17.5 kg / 38.5 lbs (w/o displays)

Dimensions:
92 cm × 52 cm × 12 cm /
36.2" × 20.5" × 4.7"

HYPERVSN SmartV Frame L

Weight:
27 kg / 23.1 lbs (w/o displays)

Dimensions:
118 cm × 65 cm × 18 cm /
46.5" × 25.6" × 7.1"

HYPERVSN

SmartV Frame Extender

This installation accessory is modular in design, allowing for Walls of any size and configuration to be easily created. One HYPERVSN SmartV Frame Extender allows for 3 additional HYPERVSN SmartV displays M/Ls to be added to a standard HYPERVSN SmartV Frame which holds 6 displays.

[Learn more](#)

Key benefits

- ✓ Vertical and horizontal installation
- ✓ Install, scale, and maintain with ease
- ✓ Modular in design allowing for scalability



Specifications

Compatibility:
HYPERVSN SmartV Wall M/L

Accessory compatibility:
HYPERVSN SmartV Frame
and HYPERVSN SmartV Plex
Guard (9/12)

HYPERVSN SmartV Frame Extender M

Weight:
11 kg / 25 lbs (w/o displays)

Dimensions:
92 cm × 48 cm × 12 cm /
36.2" × 18.9" × 4.7"

HYPERVSN SmartV Frame Extender L

Weight:
14 kg / 30.8 lbs (w/o displays)

Dimensions:
118 cm × 60 cm × 18 cm /
46.5" × 23.6" × 7.1"

HYPERVSN

SmartV Wall Portable HH

The perfect solution to display 3D content in a vertical set-up including HYPERVSN SmartV Holographic Human. This high-quality stand provides maximum mobility and easy setup. Use HYPERVSN SmartV Wall Portable at any event to showcase captivating 3D visuals that look like they are floating in the air.

[Learn more](#)

Key benefits

- ✓ Quick installation and assembly
- ✓ Highly mobile with leveling wheels
- ✓ Perfect for life-size Holographic Human display



Specifications

Compatibility:
HYPERVSN SmartV Wall L

Weight:
28 kg / 62 lbs (w/o display)

Dimensions:
159 cm × 73 cm × 92 cm /
62.6" × 28.7" × 36.2" (w/o display)

HYPERVSN

SmartV Glass Box L3

This full protection installation solution is made for HYPERVSN SmartV Wall M/L in a 3×1 configuration. It is perfect for displaying HYPERVSN SmartV Holographic Human or content on 3 HYPERVSN SmartV L displays arranged in a vertical configuration.

[Learn more](#)

Key benefits

- ✓ Full 360 protection
- ✓ Use in high traffic areas
- ✓ Perfect for Holographic Human



Specifications

Compatibility:
HYPERVSN SmartV Wall L

Weight: 135 kg / 297.6 lbs

Dimensions:
225 cm × 88 cm × 34 cm /
885.8" × 346.5" × 133.9"

HYPERVSN

SmartV Plex Guard 6

This full protection installation solution is made for HYPERVSN SmartV Wall M and L in a 3x2 configuration. It can be mounted directly onto a vertical surface (like a wall) with the included HYPERVSN SmartV Frame, while reducing the noise level, making it the perfect solution for permanent installations.

[Learn more](#)

Key benefits

- ✓ Full 360 protection
- ✓ Reduces noise level
- ✓ Perfect for high traffic areas



Specifications

Compatibility:
HYPERVSN SmartV Wall M/L

HYPERVSN SmartV Plex Guard M6

Weight:
51 kg / 112 lbs

Dimensions:
159 cm × 120 cm × 32 cm /
62.6" × 47.2" × 12.6"

HYPERVSN SmartV Plex Guard L6

Weight:
80 kg / 175 lbs

Dimensions:
196 cm × 143 cm × 32 cm /
77.2" × 167.3" × 12.6"

HYPERVSN

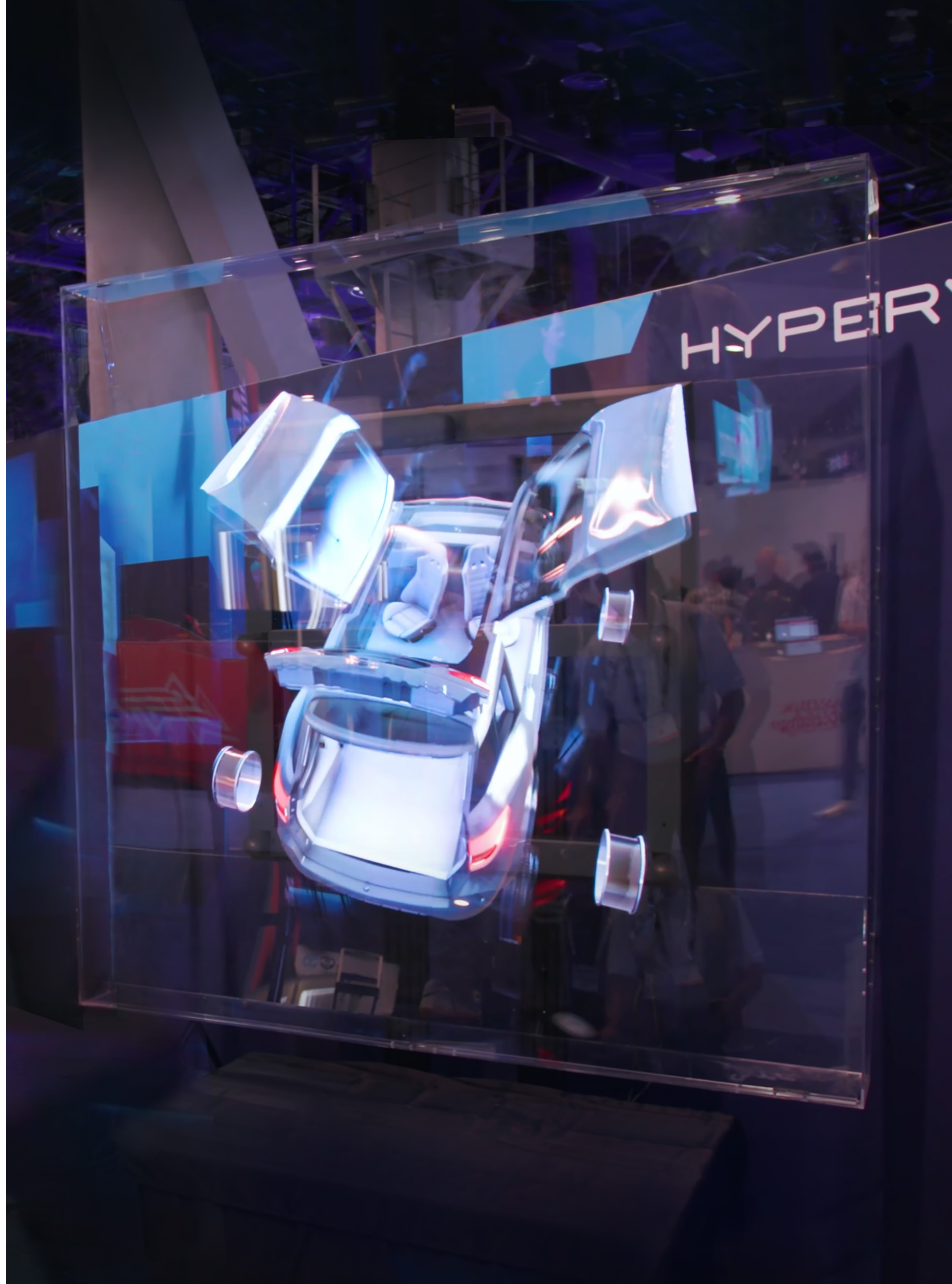
SmartV Plex Guard 9

The perfect full protection installation solution for HYPERVSN SmartV Wall M and L in a 3x3 square configuration. This solution is ideal for permanent installations and can be mounted directly onto a vertical surface like a wall, using the included HYPERVSN SmartV Frame.

[Learn more](#)

Key benefits

- ✓ Full 360 protection
- ✓ Reduces noise level
- ✓ Perfect for high traffic areas



Specifications

Compatibility:
HYPERVSN SmartV Wall M/L

HYPERVSN SmartV Plex Guard M9

Weight:
71 kg / 156 lbs

Dimensions:
159 cm × 159 cm × 32 cm /
62.6" × 62.6" × 12.6"

HYPERVSN SmartV Plex Guard L9

Weight:
110 kg / 245 lbs

Dimensions:
196 cm × 197 cm × 32 cm /
77.2" × 77.5" × 12.6"

HYPERVSN

SmartV Rack

Looking to create Walls of epic proportions to stun your audience? HYPERVSN SmartV Rack is the perfect solution to create HYPERVSN SmartV Walls of virtually any size. Its modular design makes installation quicker and easier on any flat surface with accurate spacing for the displays.

[Learn more](#)

Key benefits

- ✓ Modular design
 - ✓ Assists with installation and maintenance
 - ✓ Create large scale SmartV Walls with ease
-

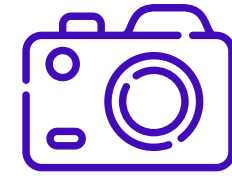


HYPERVSN

Interactive Add-ons

Interactive add-ons allow you to create next-level holographic solutions to increase engagement and maximise the impact. Create holographic experiences that leave your audience speechless with next level innovation.

[Learn more](#)



Camera based control

Display content based on the viewer's demographic (Gender, Age, Emotions, Gestures) and switch your content to target specific audiences, maximising the impact.



Voice control

Display content based on voice prompts by recognizing what a customer is saying and playing the corresponding content. This allows for holographic assistants and Chatbots.



Tablet control

Allow users to control the holographic display through a tablet. Users can swipe through content like a 3D Catalogue or present 3D content in a meeting by swiping through content on the tablet.



External triggers

Create next-level engagement by controlling your holographic display with external triggers like sensors (motion sensor, proximity sensor) or data from the internet (time, geography, temperature).

HYPERVSN

11.3.1, The Leather Market, Weston Street, London, United Kingdom, SE1 3ER
+44 (0) 208 0685 328 | info@hypervsn.com | www.hypervsn.com